

SUITABLE FOR MOST POPULAR AIR CONDITIONER BRANDS

- Replaces damaged or obsolete remotes
- Simple set up
- LCD Display
- Multi Function
- Dehumidification
- Accurate temperature control
- Fan swing select
- Fan speed select
- Heating and Cooling
- Auto self diagnostics
- Anti short cycle timer



Instructions:

Note: 3 minute delay on compressor after cycle or shut down.

Mode Selection button: Auto mode/ unit will heat when room temperature is below 21°C and cool when room temperature is above 27°C.

Fan Selection button: LOW fan speed when: Unit is in DE-HUMIDIFY or HEAT mode when compressor is either off or in 3 minute delay on start up.

AUTO fan speed. HIGH when temperature differential between set point and room temperature is greater than 4°C.
LOW when this differential is less than 2°C

Temperature set button: Adjustable between 15°C - 30°C
Not adjustable in AUTO or DE HUMIDIFY modes.

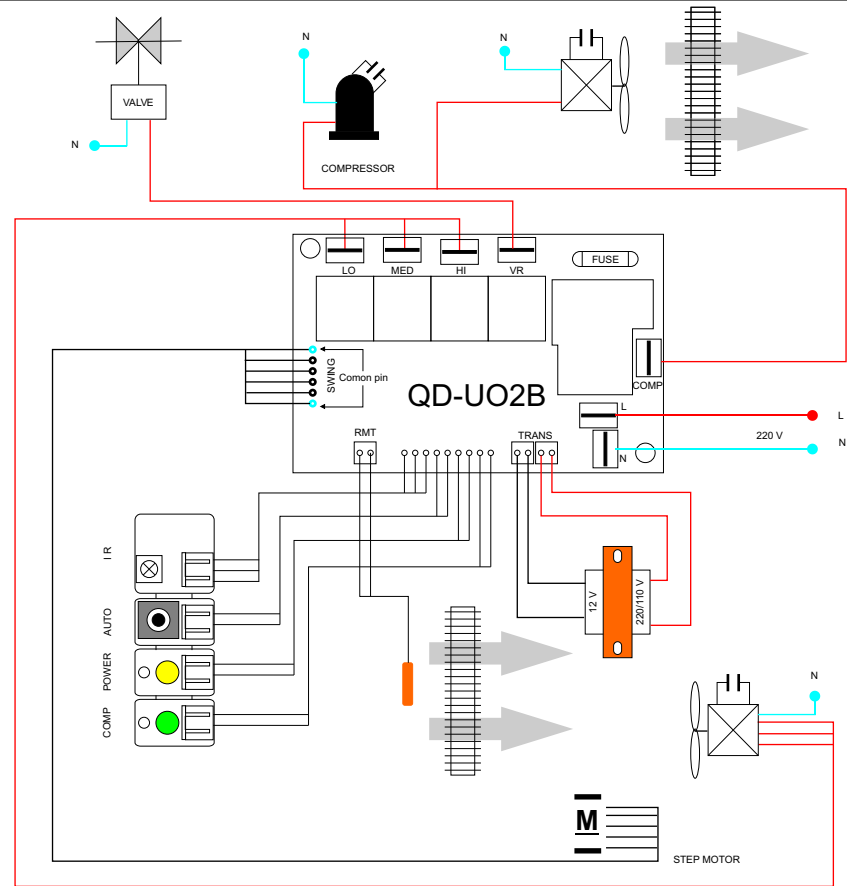
Timer button: Set 1 - 16 hours

Swing button: Select swing on / off

Sleep button: Shut down after set time

Too Warm / Cool button: Only available in AUTO mode. Temperature adjustment in increments of 1°C when button depressed

On /Off button: On / Off control



- 1: Do not expose the Infra Red receiver to bright light
- 2: Common pins of the swing motor socket are 12V output

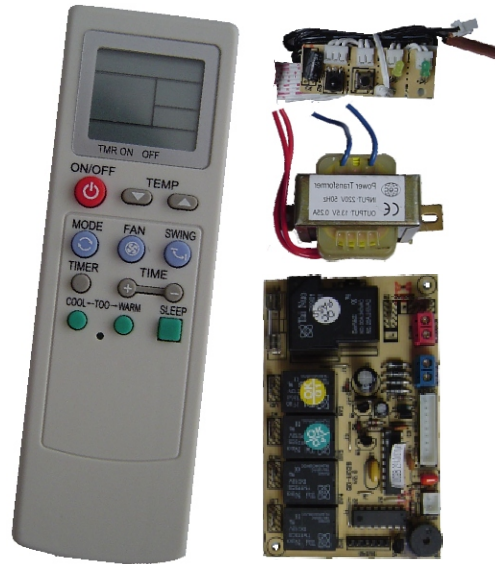
The common pin of the stepper motor should be inserted into one of the common pins of the swing socket.

If the direction of the stepper motor is reversed then move the common from the motor to another common pin on the swing socket



SUITABLE FOR MOST POPULAR AIR CONDITIONER BRANDS

- Replaces damaged or obsolete remotes
- Simple set up
- LCD Display
- Multi Function
- Dehumidification
- Accurate temperature control
- Fan swing select
- Fan speed select
- Heating and Cooling
- Auto self diagnostics
- Anti short cycle timer
- Auto Re - Start



Instructions:

Note: 3 minute delay on compressor after cycle or shut down.

Mode Selection button: Auto mode/ unit will heat when room temperature is below 21°C and cool when room temperature is above 27°C.

Fan Selection button: LOW fan speed when: Unit is in DE-HUMIDIFY or HEAT mode when compressor is either off or in 3 minute delay on start up.

AUTO fan speed. HIGH when temperature differential between set point and room temperature is greater than 4°C.
LOW when this differential is less than 2°C

Temperature set button: Adjustable between 15°C - 30°C
Not adjustable in AUTO or DE HUMIDIFY modes.

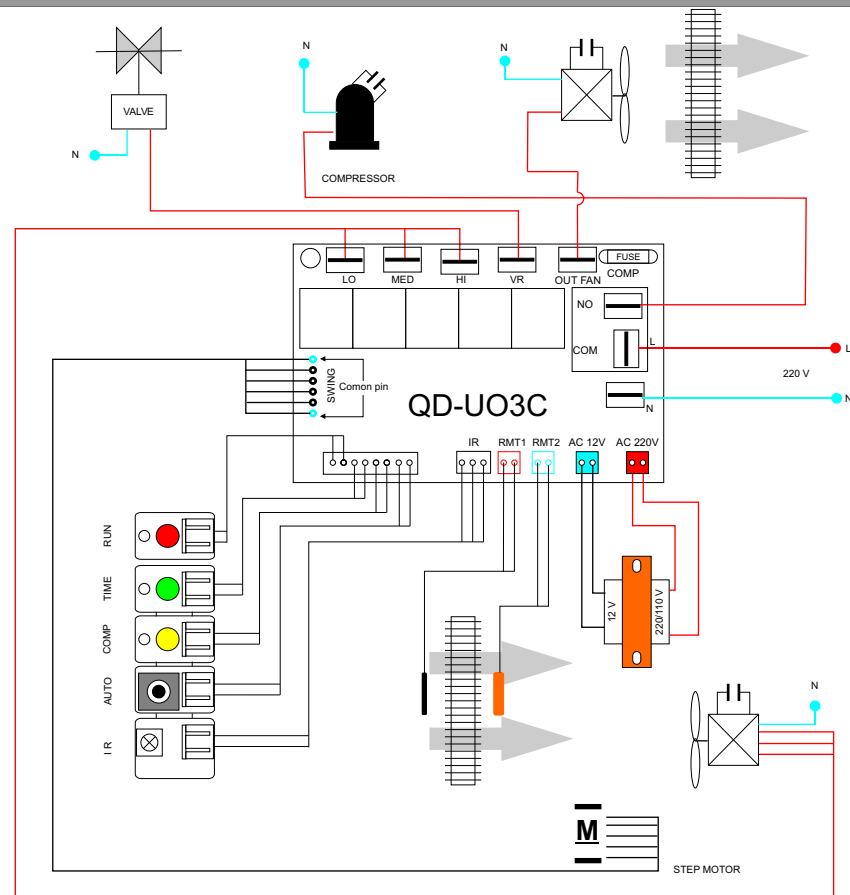
Timer button: Set 1 - 16 hours

Swing button: Select swing on / off

Sleep button: Shut down after set time

Too Warm / Cool button: Only available in AUTO mode. Temperature adjustment in increments of 1°C when button depressed

On /Off button: On / Off control



- 1: Do not expose the Infra Red receiver to bright light
- 2: Common pins of the swing motor socket are 12V output

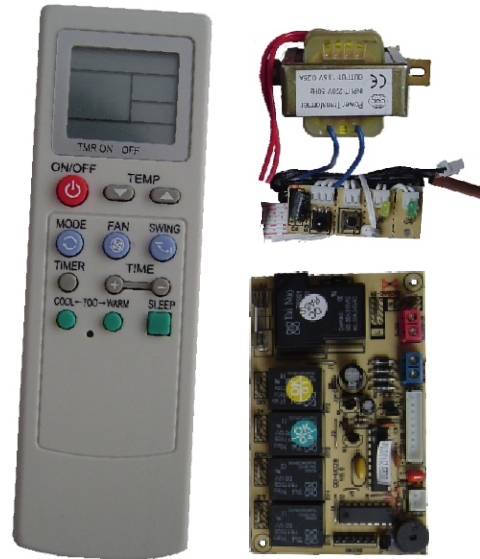
The common pin of the stepper motor should be inserted into one of the common pins of the swing socket.

If the direction of the stepper motor is reversed then move the common from the motor to another common pin on the swing socket



SUITABLE FOR MOST POPULAR AIR CONDITIONER BRANDS

- Replaces damaged or obsolete remotes
- Simple set up
- LCD Display
- Multi Function
- Dehumidification
- Accurate temperature control
- Fan swing select
- Fan speed select
- Heating and Cooling
- Auto self diagnostics
- Anti short cycle timer
- Low Ambient cooling to -10°C



Instructions:

Note: 3 minute delay on compressor after cycle or shut down.

Mode Selection button: Auto mode/ unit will heat when room temperature is below 21°C and cool when room temperature is above 27°C .

Fan Selection button: LOW fan speed when: Unit is in DE-HUMIDIFY or HEAT mode when compressor is either off or in 3 minute delay on start up.

AUTO fan speed. HIGH when temperature differential between set point and room temperature is greater than 4°C .
LOW when this differential is less than 2°C

Temperature set button: Adjustable between 15°C - 30°C
Not adjustable in AUTO or DE HUMIDIFY modes.

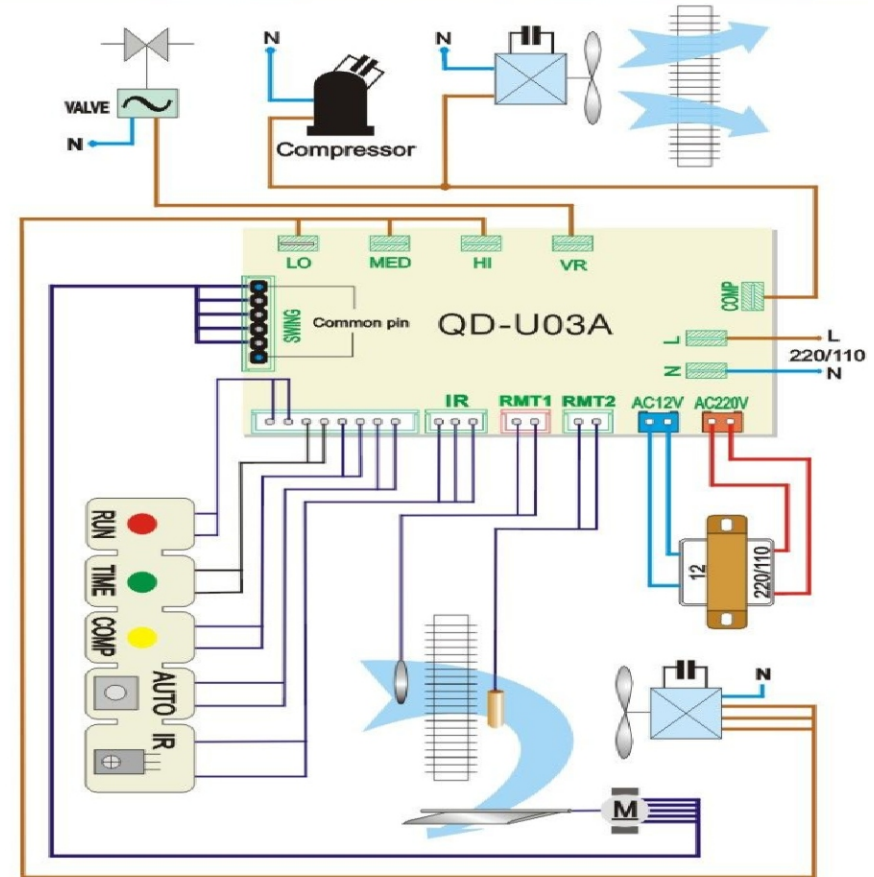
Timer button: Set 1 - 16 hours

Swing button: Select swing on / off

Sleep button: Shut down after set time

Too Warm / Cool button: Only available in AUTO mode. Temperature adjustment in increments of 1°C when button depressed

On /Off button: On / Off control



- 1: Do not expose the Infra Red receiver to bright light
- 2: Common pins of the swing motor socket are 12V output

The common pin of the stepper motor should be inserted into one of the common pins of the swing socket.

If the direction of the stepper motor is reversed then move the common from the motor to another common pin on the swing socket

